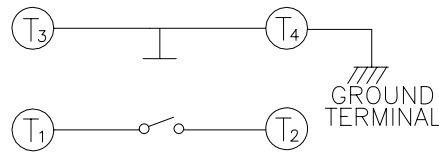
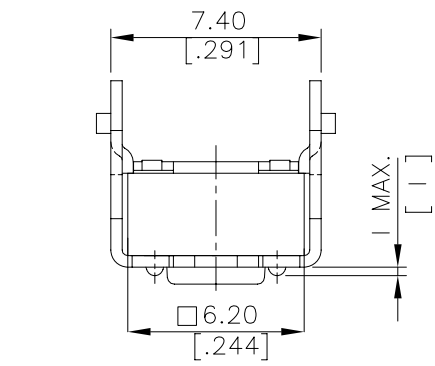
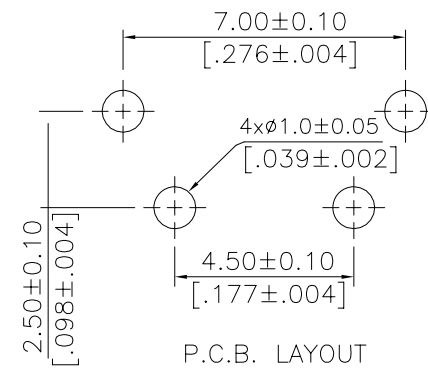


DIMENSIONS

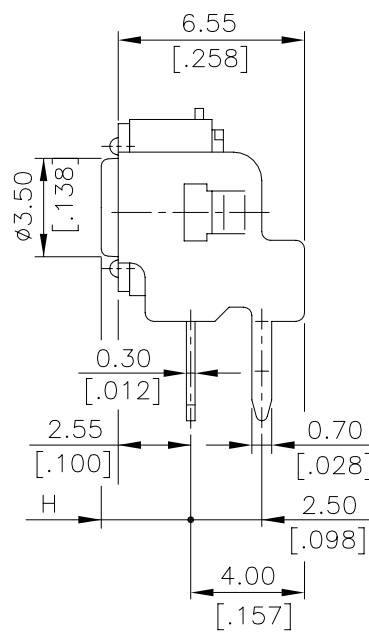
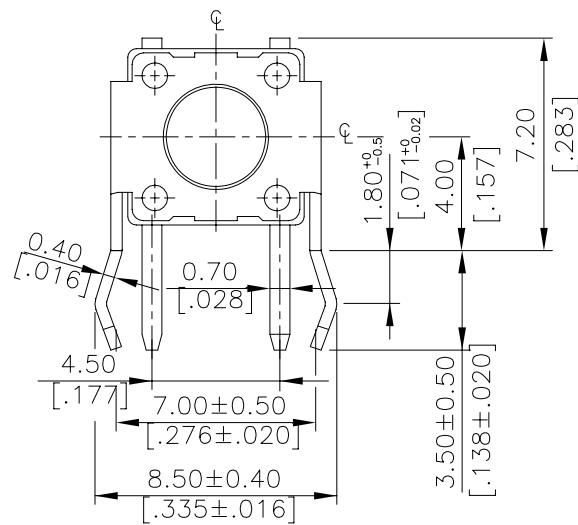
DTSA-6



CIRCUIT DIAGRAM



P.C.B. LAYOUT

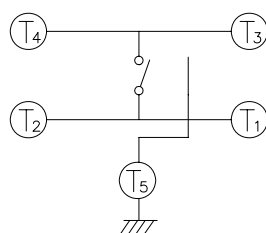
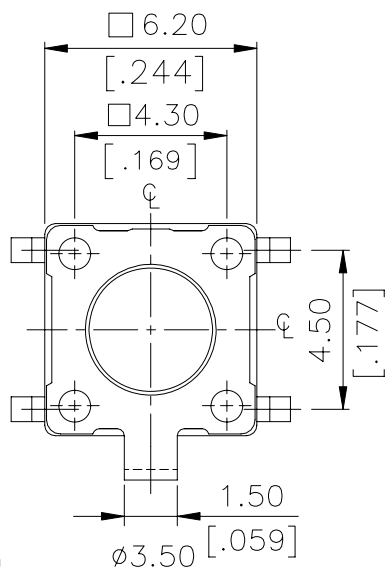


DTSA-62~66 □ -V	0.4 MAX	.016 MAX
DTSA-61 □ -V	0.3 MAX	.012 MAX
PROD. NO.	I	INCHES.

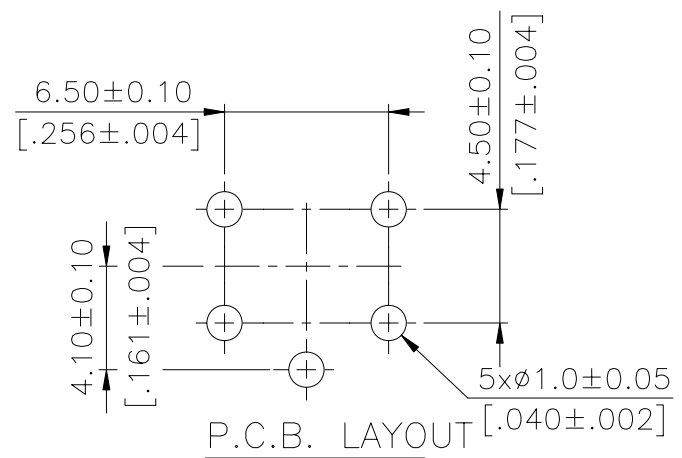
DTSA-66 □ -V	11.85 [.467]
DTSA-65 □ -V	8.35 [.329]
DTSA-63 □ -V	5.85 [.230]
DTSA-62 □ -V	3.85 [.152]
DTSA-61 □ -V	3.15 [.124]
PROD. NO.	H

General Tolerance : ±0.2mm

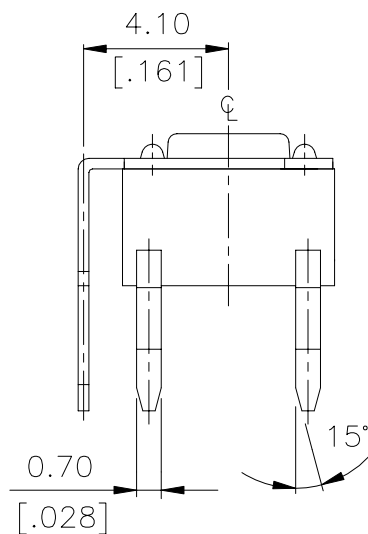
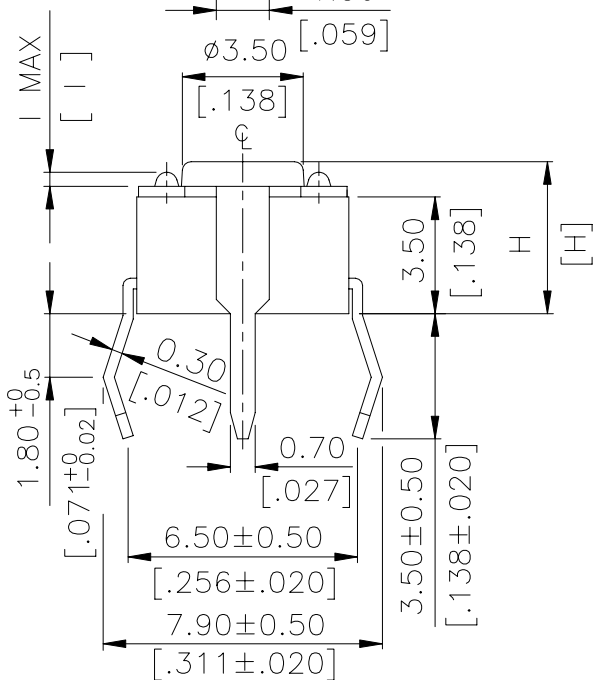
DTSG-6



CIRCUIT DIAGRAM



P.C.B. LAYOUT

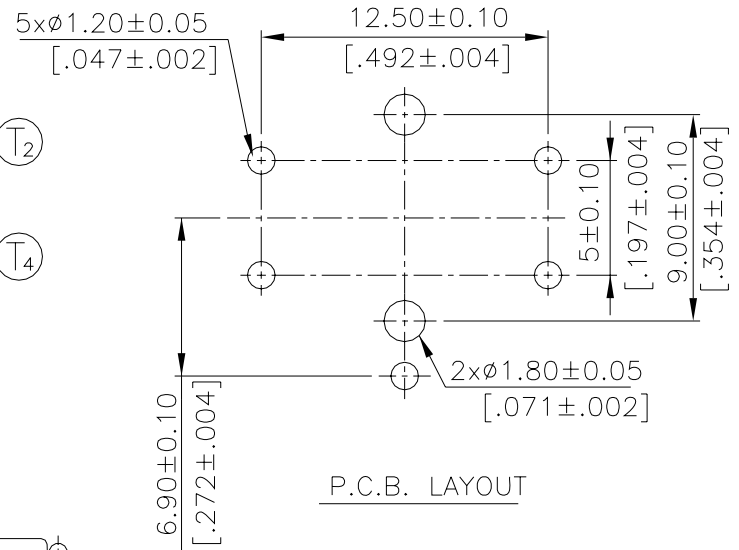
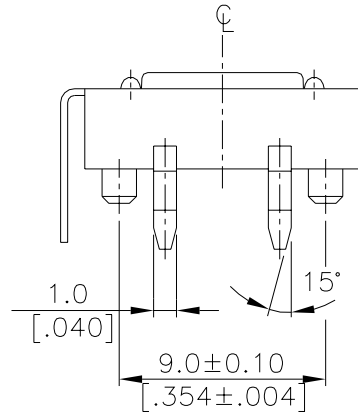
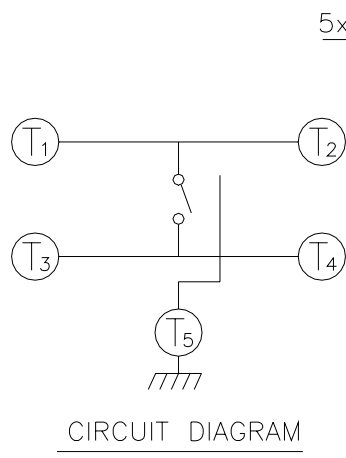
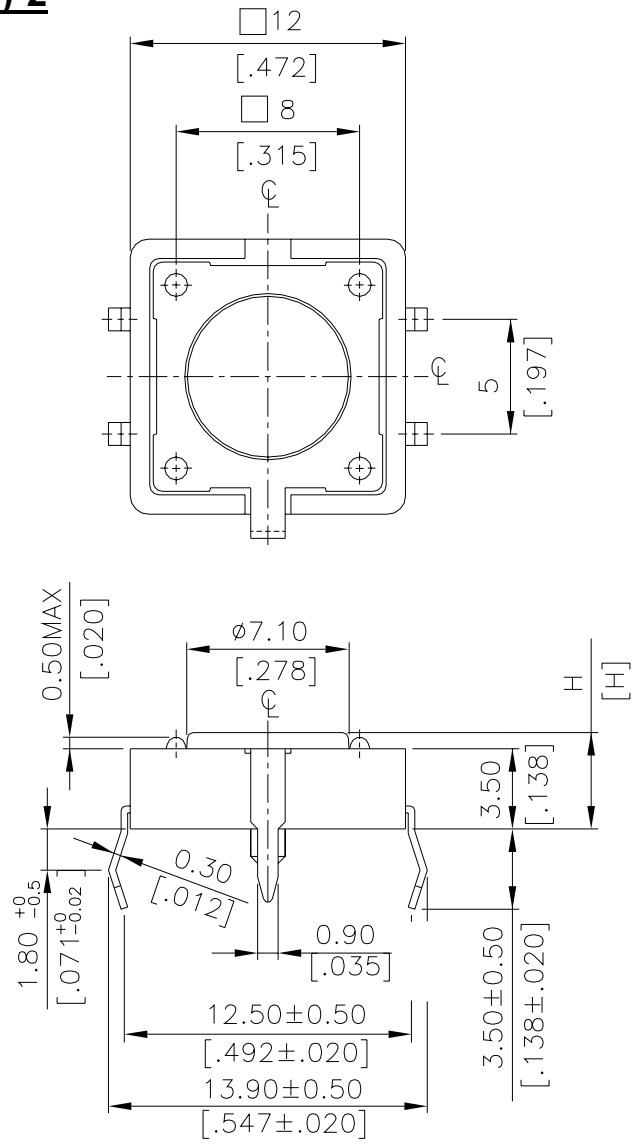


DTSG-62~66 □ -V	0.5 MAX	.0196 MAX
DTSG-61 □ -V	0.4 MAX	.016 MAX
PROD. NO.	I	INCHES.

DTSG-66 □ -V	13.0 [.512]
DTSG-65 □ -V	9.5 [.374]
DTSG-63 □ -V	7.0 [.275]
DTSG-62 □ -V	5.0 [.197]
DTSG-61 □ -V	4.3 [.169]
PROD. NO.	H

General Tolerance : ±0.2mm

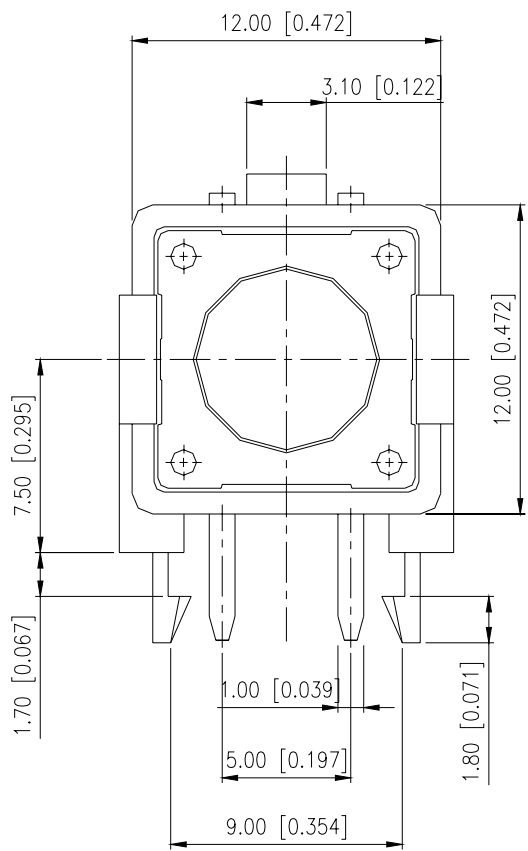
DTSG(P)-2



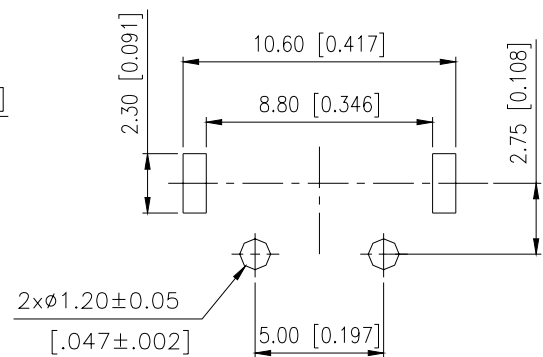
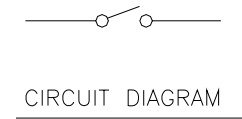
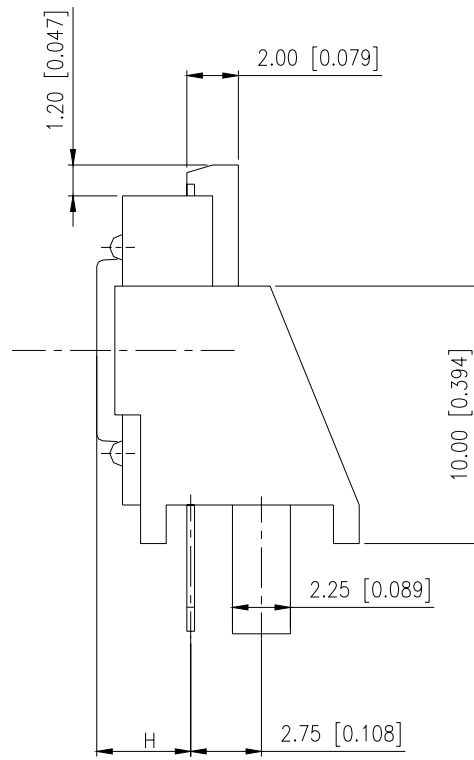
DTSGP-25□-V	8.5 [0.335]
DTSGP-21□-V	4.3 [0.169]
PROD. NO.	H

General Tolerance : $\pm 0.2\text{mm}$

DTSA-2



DTSA-25□-V	7.85 [0.3012]
DTSA-21□-V	3.65 [0.144]
PROD. NO.	H



General Tolerance : $\pm 0.2\text{mm}$

HOW TO ORDER

DTS □ □ - □ □ □ - □ - □

Soldering

V=Lead Free Solderable; Q=Halogen Free

□=Dome Phosphor bronze

(*S = Dome Stainless steel

(*12x12 K、S、Y Unavailable)

Cover of Stem For Operatin Force:

▲K = Black, 100gf

N = Brown, 160gf

R = Red, 260gf

S = Salmon, 320gf

▲Y = Yellow, 520gf

<▲12x12, K,Y Unavailable>

Dimension H:

Code	DTSA-6	DTSG-6	DTSG(P)-2
1	3.15mm	4.3mm	4.3mm
2	3.85mm	5.0mm	7.3mm (SQ.)X3.8mm
3	5.85mm	7.0mm	8.5mm
▲(SQ.)x2.4mm	44 = 6.15mm	7.3mm	
(SQ.)X2.8mm	48 = 6.15mm	7.3mm	DTSA-2
5	8.35mm	9.5mm	1=3.65mm
6	11.85mm	13.0mm	5=7.85mm

Prod. Size:

6 = 6 x 6 mm

2 = 12 x 12 mm

□ = None Post

P = With Post (For 12x12mm only)

DTSA = Right Angle Type Tactile Switch

DTSG = With Ground Terminal Type Tactile Switch

SPECIFICATION

△MECHANICAL

520 ± 130gf Yellow (Y)

320 ± 80gf Salmon (S)

Operation Force: 260 ± 50gf Red (R)

160 ± 50gf Brown (N)

100 ± 50gf Black (K)

Stop Strength: Max. 3kgf vertical static load continuously for 15 seconds.

Stroke: (6x6) 0.25 + 0.2 mm / - 0.1mm

(12x12) 0.35 ± 0.10 mm

Operation Temperature: -25°C to +70°C

Storage Temperature: -30°C to +80°C

△ELECTRICAL

Electrical Life: (6X6)

300,000 cycles for 320gf, 520gf

500,000 cycles for 260gf

1,000,000 cycles for 100gf, 160gf

Electrical Life: (12X12) Dome Phosphor bronze

100,000 cycles for 320gf

100,000 cycles for 260gf

200,000 cycles for 160gf

Rating: 50mA , 12VDC

Contact Resistance: 100mΩ max.

Insulation Resistance: 100MΩ min. at 500VDC

Dielectric Strength: 250VAC/ minute

Contact Arrangement: SPST

MATERIAL

△COVER: Steel, Tin plated

△BASE: UL94V-0, Nylon Thermoplastic

Color: Black;Brown

△STEM: UL94V-0 Nylon Thermoplastic

Color: Black (100gf), Brown (160gf)

Red (260gf), Salmon (320gf)

Yellow (520gf)

△CONTACT DISC : Phosphor bronze with silver cladding (Standard)

Stainless Steel(V-Option)

△TERMINAL: Brass with silver plated

△BRACKET : UL94V-0 PBT Thermoplastic

(12x12) Dome Stainless Steel

Electrical Life: 500,000 cycles for 260gf

1,000,000 cycles for 160gf

SOLDERING PROCESS

△ **WAVE SOLDERING** : Recommended solder temperature

at 500°F (260°C) max. 5 seconds subject to PCB 1.6mm thickness (For through hole type)

△ **HAND SOLDERING** : Use a soldering iron of 30 watts, controlled at 350°C approximately 5 seconds while applying solder.

PACKING

Part Number	Number Per Bag	
DTSA-6	500	
DTSG-6	1000	
DTSG-2	500	
DTSA-2	500	